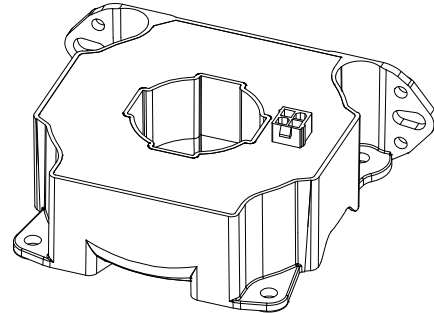


For the electronic measurement of current: DC, AC, pulsed..., with galvanic separation between the primary and the secondary circuit.



Features

- Bipolar and insulated current measurement
- Current output
- Closed loop (compensated) current transducer
- Panel mounting.

Special features

- Connection to secondary circuit on Molex Mini-Fit Jr 5566 with gold plated pin
- Shield between primary and secondary connected on $-U_c$
- Different case long feet.

Advantages

- High accuracy
- Very low offset drift over temperature.

Applications

- Windmill inverters
- Single or three phase inverters
- Propulsion and braking choppers
- Propulsion converters
- Auxiliary converters
- High power drives
- Substations.

Standards

- EN 50155: 2007
- EN 50124-1: 2001
- EN 50121-3-2: 2006
- UL 508: 2013
- IEC 61010-1:2010.

Application Domain

- Traction.

Absolute maximum ratings

| Parameter | Symbol | Unit | Value |
|--|-----------|------|-------|
| Maximum supply voltage (working) (-40 ... 85 °C) | $\pm U_C$ | V | ±25.2 |
| Primary conductor temperature | T_B | °C | 100 |
| Maximum steady state primary current (-40 ... 85 °C) | I_{PN} | A DC | 1000 |

Stresses above these ratings may cause permanent damage.
Exposure to absolute maximum ratings for extended periods may degrade reliability.

UL 508: Ratings and assumptions of certification

File # E189713 Volume: 2 Section: 7

Standards

- USR indicated investigation to the Standard for Industrial Control Equipment UL 508.
- CNR Indicated investigation to the Canadian standard for Industrial Control Equipment CSA C22.2 No. 14-13

Conditions of acceptability

When installed in the end-use equipment, with primary feedthrough potential involved of 600 V AC/DC, consideration shall be given to the following:

- 1 - *These devices must be mounted in a suitable end-use enclosure.*
- 2 - *The terminals have not been evaluated for field wiring.*
- 3 - *Low voltage circuits are intended to be powered by a circuit derived from an isolating source (such as transformer, optical isolator, limiting impedance or electro-mechanical relay) and having no direct connection back to the primary circuit (other than through the grounding means).*

Marking

Only those products bearing the UL or UR Mark should be considered to be Listed or Recognized and covered under UL's Follow-Up Service. Always look for the Mark on the product.

Insulation coordination

| Parameter | Symbol | Unit | Value | Comment |
|--|----------------------------------|------------|-----------------------|----------------------|
| Rms voltage for AC insulation test, 50 Hz, 1 min | U_d | kV | 6 | |
| Impulse withstand voltage 1.2/50 μ s | \hat{U}_w | kV | 16 | |
| Insulation resistance | R_{IS} | M Ω | 200 | measured at 500 V DC |
| Comparative tracking index | CTI | | 600 | |
| Case material | - | - | V0 according to UL 94 | |
| Clearance and creepage | See dimensions drawing on page 7 | | | |

Environmental and mechanical characteristics

| Parameter | Symbol | Unit | Min | Typ | Max | Comment |
|-------------------------------|--------|--------------|-----|-----|-----|---------|
| Ambient operating temperature | T_A | $^{\circ}$ C | -40 | | 85 | |
| Ambient storage temperature | T_S | $^{\circ}$ C | -50 | | 90 | |
| Mass | m | g | | 435 | | |

Electrical data

At $T_A = 25\text{ °C}$, $\pm U_C = \pm 24\text{ V}$, $R_M = 1\ \Omega$, unless otherwise noted.

Lines with a * in the conditions column apply over the $-40 \dots 85\text{ °C}$ ambient temperature range.

| Parameter | Symbol | Unit | Min | Typ | Max | Conditions |
|--|--------------|---------------|--------------|--------------------------|------------|--|
| Primary nominal DC current | I_{PN} | A | | | 1000 | * |
| Primary nominal AC ¹⁾ rms current | I_{PN} | A | | | 1200 | * |
| Primary current, measuring range | I_{PM} | A | -2720 | | 2720 | * With $\pm U_C = \pm 22.8\text{ V}$; $T_A = +85\text{ °C}$; $R_M = 1\ \Omega$ For other conditions, see figure 1 |
| Measuring resistance | R_M | Ω | 0 | | | * Max value of R_M is given in figure 1 |
| Secondary nominal DC current | I_{SN} | A | | | 0.2 | * |
| Resistance of secondary winding | R_S | Ω | | | 29.9 | $R_S(T_A) = R_S \times (1 + 0.004 \times (T_A + \Delta\text{temp} - 25))$ Estimated temperature increase @ I_{PN} is $\Delta\text{temp} = 15\text{ °C}$ |
| Secondary current | I_S | A | -0.544 | | 0.544 | * |
| Number of secondary turns | N_S | | | 5000 | | |
| Theoretical sensitivity | G_{th} | mA/A | | 0.2 | | |
| Supply voltage | $\pm U_C$ | V | ± 14.25 | | ± 25.2 | * |
| Current consumption | I_C | mA | | $44 + I_S$ $49 + I_S$ | | $\pm U_C = \pm 15\text{ V}$ $\pm U_C = \pm 24\text{ V}$ |
| Offset current, referred to primary | I_O | A | -1 | | 1 | |
| Temperature variation of I_O , referred to primary | I_{OT} | A | -0.6 | | 0.6 | * |
| Magnetic offset current, referred to primary | I_{OM} | A | | ± 1 | | After $3 \times I_{PN}$ |
| Sensitivity error | ϵ_G | % | -0.15 | | 0.15 | * |
| Linearity error | ϵ_L | % of I_{PN} | -0.15 | | 0.15 | * |
| Overall accuracy at I_{PN} | X_G | % of I_{PN} | -0.2 -0.4 | | 0.2 0.4 | * $25 \dots 70 \dots 85\text{ °C}$ $-40 \dots 85\text{ °C}$ |
| Output rms noise current referred to primary | I_{no} | mA | | 50 | | 1 Hz to 20 kHz (see figure 4) |
| Reaction time @ 10 % of I_{PN} | t_{ra} | μs | | < 0.5 | | 0 to 1 kA, 200 A/ μs |
| Step response time to 90 % of I_{PN} | t_r | μs | | < 0.5 | | 0 to 1 kA, 200 A/ μs |
| Frequency bandwidth | BW | kHz | | 200 | | -3 dB, small signal bandwidth (see figure 5) |

Note: ¹⁾ Low frequency.

Definition of typical, minimum and maximum values

Minimum and maximum values for specified limiting and safety conditions have to be understood as such as well as values shown in "typical" graphs.

On the other hand, measured values are part of a statistical distribution that can be specified by an interval with upper and lower limits and a probability for measured values to lie within this interval.

Unless otherwise stated (e.g. "100 % tested"), the LEM definition for such intervals designated with "min" and "max" is that the probability for values of samples to lie in this interval is 99.73 %.

For a normal (Gaussian) distribution, this corresponds to an interval between -3 sigma and +3 sigma. If "typical" values are not obviously mean or average values, those values are defined to delimit intervals with a probability of 68.27 %, corresponding to an interval between -sigma and +sigma for a normal distribution.

Typical, minimum and maximum values are determined during the initial characterization of the product.

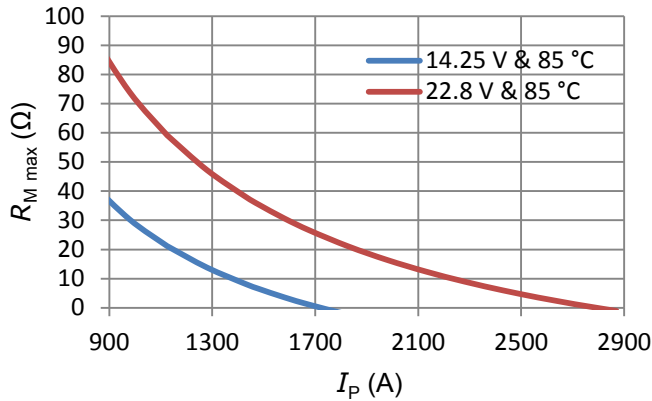
Typical performance characteristics


Figure 1: Maximum measuring resistance

$$R_{M \max} = N_S \times \frac{U_{C \min} - 0.5 \text{ V}}{I_P} - R_{S \max} - 0.93 \Omega$$

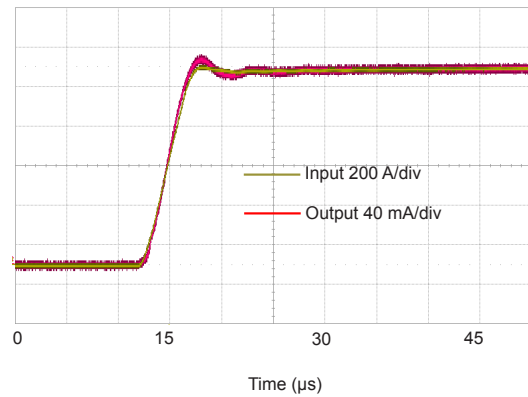
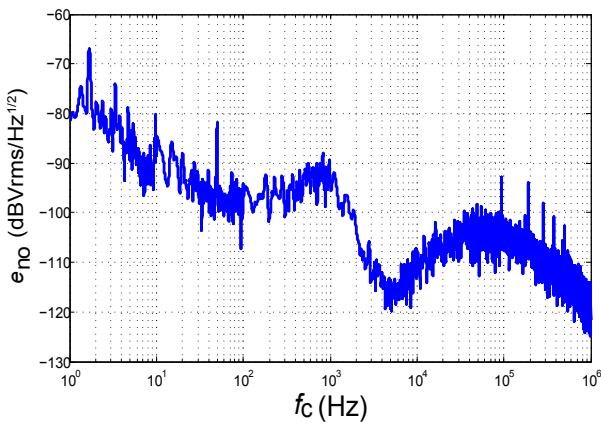
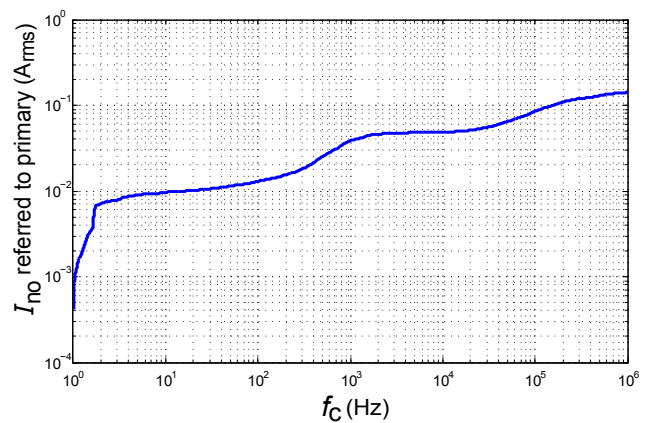


Figure 2: Typical step response (0 to 1 kA, 200 A/μs)


 Figure 3: Typical noise voltage density e_{no} with $R_M = 100 \Omega$

 Figure 4: Typical total output current noise with $R_M = 100 \Omega$ (primary referred, rms)

To calculate the noise in a frequency band f_1 to f_2 , the formula is:

$$I_{no}(f_1 \dots f_2) = \sqrt{I_{no}(f_2)^2 - I_{no}(f_1)^2}$$

with $I_{no}(f)$ read from figure 4 (typical, rms value).

Example:

What is the noise from 1 to 10^6 Hz?

Figure 4 gives $I_{no}(1 \text{ Hz}) = 0.5 \text{ mA}$ and $I_{no}(10^6 \text{ Hz}) = 199 \text{ mA}$. The output current noise (rms) is therefore:

$$\sqrt{(199 \times 10^{-3})^2 - (0.5 \times 10^{-3})^2} = 199 \text{ mA referred to primary}$$

Typical performance characteristics

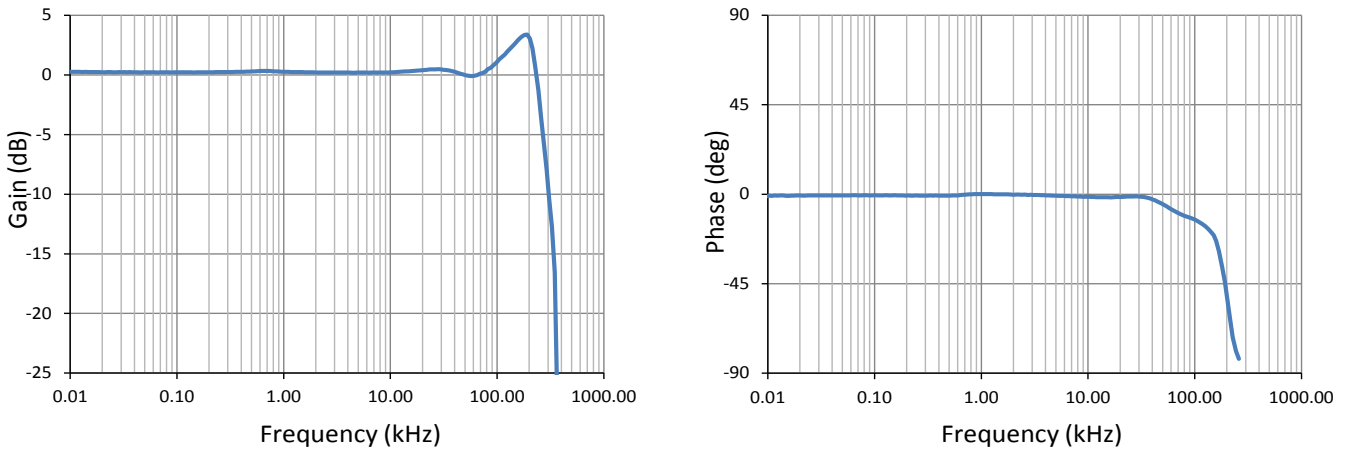


Figure 5: Typical frequency response, small signal bandwidth

Performance parameters definition

Sensitivity and linearity

To measure sensitivity and linearity, the primary current (DC) is cycled from 0 to I_{PM} , then to $-I_{PM}$ and back to 0 (equally spaced $I_{PM}/10$ steps).

The sensitivity G is defined as the slope of the linear regression line for a cycle between $\pm I_{PM}$.

The linearity error ϵ_L is the maximum positive or negative difference between the measured points and the linear regression line, expressed in % of the maximum measured value.

Magnetic offset

The magnetic offset I_{OM} is the change of offset after a given current has been applied to the input. It is included in the linearity error as long as the transducer remains in its measuring range.

Electrical offset

The electrical offset current I_{OE} is the residual output current when the input current is zero.

Overall accuracy

The overall accuracy X_G is the error at $\pm I_{PN}$, relative to the rated value I_{PN} . It includes all errors mentioned above.

Response and reaction times

The response time t_r and the reaction time t_{ra} are shown in the next figure.

Both slightly depend on the primary current di/dt . They are measured at nominal current.

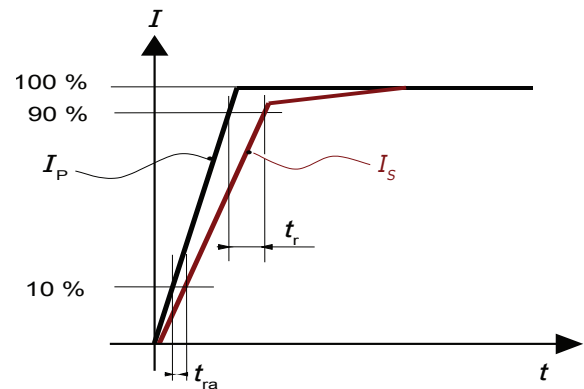
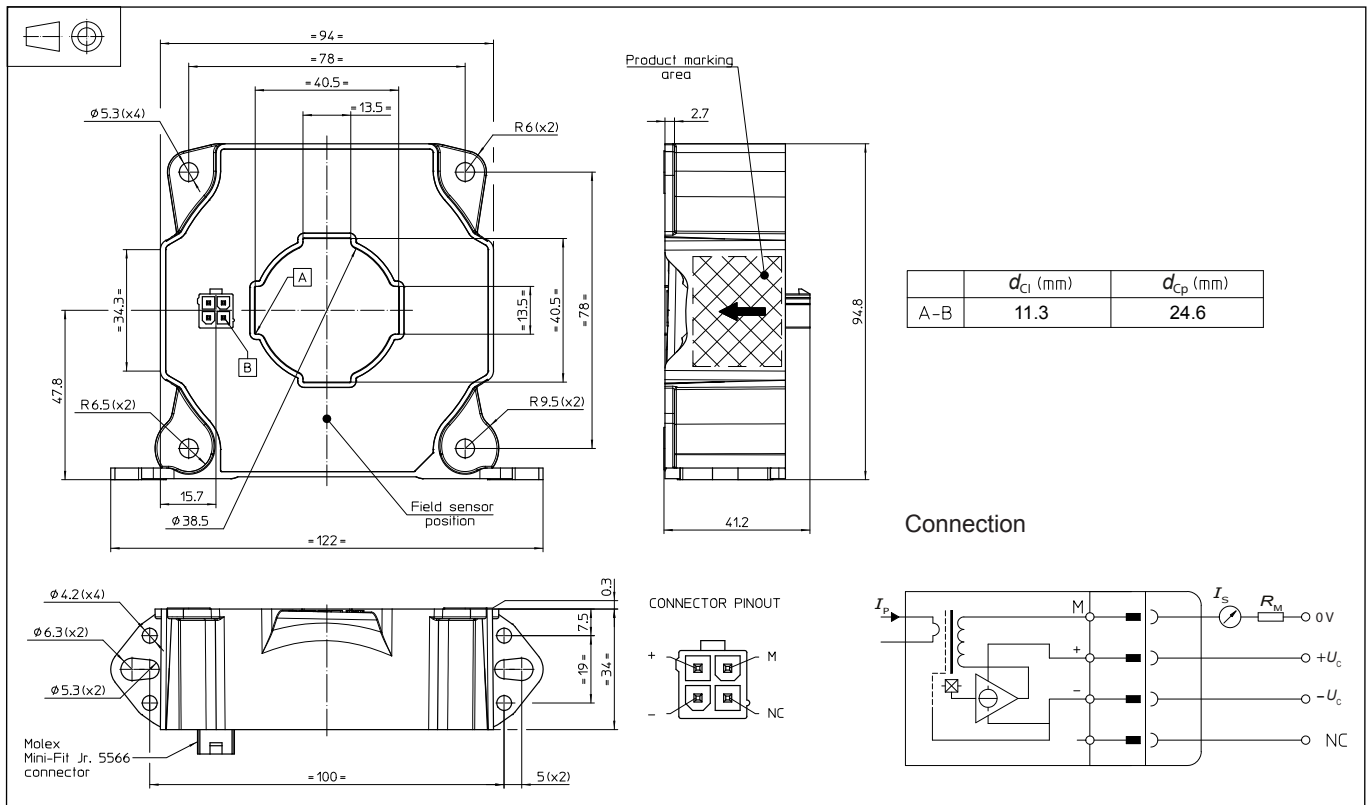


Figure 6: Response time t_r and reaction time t_{ra}

Dimensions (in mm)

Mechanical characteristics

- General tolerance ± 0.5 mm
- Transducer fastening
 - Vertical position
 - 2 holes $\phi 5.3$ mm
 - 2 M5 steel screws
 - Recommended fastening torque 3.2 N·m (± 10 %)
 - Or
 - 4 holes $\phi 4.2$ mm
 - 4 M4 steel screws
 - Recommended fastening torque 2.1 N·m (± 10 %)
 - Or
 - 2 M6 steel screws
 - Recommended fastening torque 4.5 N·m (± 10 %)
 - Primary through-hole
 - Or
 - 40 mm \times 13 mm
 - Transducer fastening
 - Horizontal position
 - 4 holes $\phi 5.3$ mm
 - 4 M5 steel screws
 - Recommended fastening torque 3.2 N·m (± 10 %)
- Connection of secondary
 - Molex Mini-Fit Jr
 - 5566 gold plated pin

Remarks

- I_s is positive when I_p flows in the direction of arrow.
- The secondary cables also have to be routed together all the way.
- Installation of the transducer is to be done without primary current or secondary voltage present.
- Maximum temperature of primary conductor: see page 2.

- Installation of the transducer must be done unless otherwise specified on the datasheet, according to LEM Transducer Generic Mounting Rules. Please refer to LEM document N°ANE120504 available on our Web site: [Products/Product Documentation](#).

Safety

This transducer must be used in limited-energy secondary circuits according to IEC 61010-1.



This transducer must be used in electric/electronic equipment with respect to applicable standards and safety requirements in accordance with the manufacturer's operating instructions.



Caution, risk of electrical shock

When operating the transducer, certain parts of the module can carry hazardous voltage (eg. primary connection, power supply).

Ignoring this warning can lead to injury and/or cause serious damage.

This transducer is a build-in device, whose conducting parts must be inaccessible after installation.

A protective housing or additional shield could be used. Main supply must be able to be disconnected.