

# AUTOMOTIVE CURRENT TRANSDUCER OPEN LOOP TECHNOLOGY

## DHAB S/118



### Introduction

The DHAB family is best suited for DC, AC, or pulsed currents measurement in high power and low voltage automotive applications. It features galvanic separation between the primary circuit (high power) and the secondary circuit (electronic circuit).

The DHAB family gives you a choice of having different current measuring ranges in the same housing (from  $\pm 20$  up to  $\pm 900$  A).

### Features

- Open Loop transducer using the Hall effect
- Low voltage application
- Unipolar +5 V DC power supply
- Primary current measuring range up to  $\pm 30$  A for channel 1 and  $\pm 350$  A for channel 2
- Maximum RMS primary admissible current: defined by busbar to have  $T^\circ < +150$  °C
- Operating temperature range:  $-40$  °C  $< T^\circ < +125$  °C
- Output voltage: full ratio-metric (in sensitivity and offset).

### Special feature

- Dual channel sensor for wider measurement range and redundancy.

### Advantages

- Good accuracy for high and low current range
- Good linearity
- Low thermal offset drift
- Low thermal sensitivity drift
- Hermetic package.

### Automotive applications

- Battery Pack Monitoring
- Hybrid Vehicles
- EV and Utility Vehicles.

### Principle of DHAB family

The open loop transducers uses a Hall effect integrated circuit. The magnetic flux density  $B$ , contributing to the rise of the Hall voltage, is generated by the primary current  $I_p$  to be measured. The current to be measured  $I_p$  is supplied by a current source i.e. battery or generator (Figure 1).

Within the linear region of the hysteresis cycle,  $B$  is proportional to:

$$B(I_p) = \text{constant}(a) \times I_p$$

The hall voltage is thus expressed by:

$$V_H = (\text{Hall coefficient} / d) \times I \times \text{constant}(a) \times I_p$$

With  $d$  = thickness of the hall plates

$$I = \text{current across the Hall plates}$$

Except for  $I_p$ , all terms of this equation are constant. Therefore:

$$V_H = \text{constant}(b) \times I_p$$

The measurement signal  $V_H$  amplified to supply the user output voltage or current.

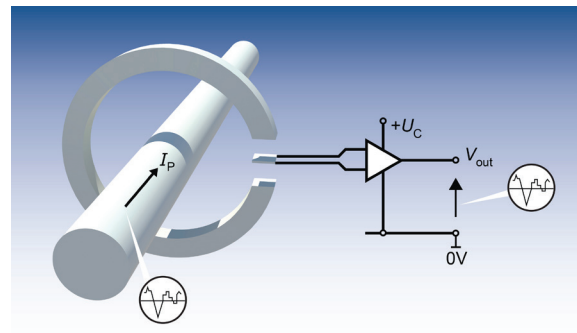
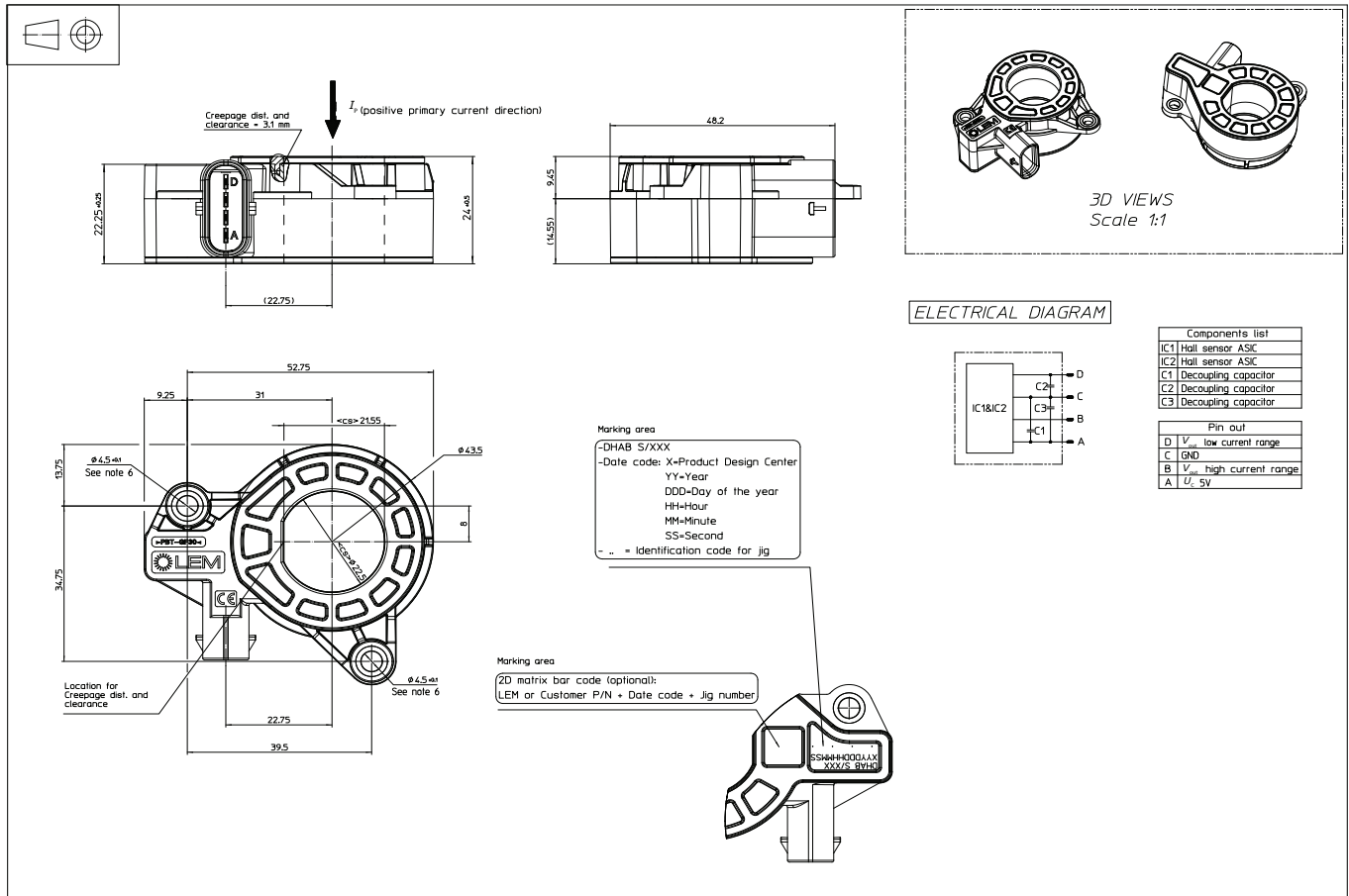


Fig. 1: Principle of the open loop transducer

Dimensions (in mm)



Mechanical characteristics

- Plastic case >PBT-GF30<
- Magnetic core Channel 1: FeNi alloy Channel 2: FeSi alloy
- Electrical terminal coating Brass tin plated
- Mass 82 g
- Degrees of protection provided by enclosure: IP6K9K

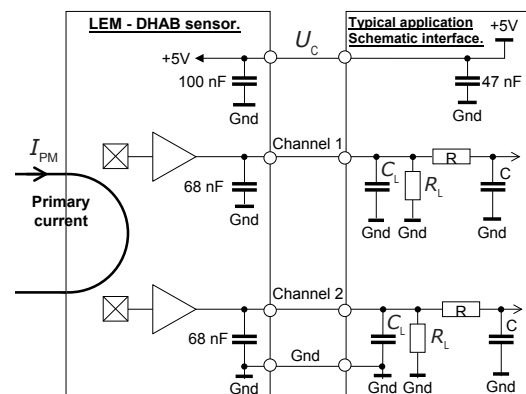
Mounting recommendation

- Mating connector P/N TYCO 1-1456426-5
- Max assembly torque 2.5 N·m (for M4 × 0.7 mm)
- Clamping force must be applied on the compression limiter
- Soldering type N/A

Remark

- $V_{out} > V_0$  when  $I_p$  flows in the positive direction (see arrow on drawing).

System architecture (example)



$R_L > 10 \text{ k}\Omega$  optional resistor for signal line diagnostic  
 $C_L < 100 \text{ nF}$  EMC protection  
 RC Low pass filter EMC protection (optional)

**Absolute ratings (not operating)**

Parameter	Symbol	Unit	Specification			Conditions
			Min	Typical	Max	
Maximum supply voltage	$U_c$	V	-14		14	
Ambient storage temperature	$T_s$	°C	-40		125	
Electrostatic discharge voltage	$U_{ESD}$	kV			8	IEC 61000-4-2 - ISO 10605
Rms voltage for AC insulation test, 50 Hz, 1 min	$U_d$	kV			2.5	ISO 16750-2
Creepage distance	$d_{cp}$	mm		3.1		
Clearance	$d_{cl}$	mm		3.1		
Comparative tracking index	$CTI$			PLC3		
Maximum output current	$I_{out}$	mA	-10		10	Continuous
Maximum output voltage (Analog)		V	-14		14	Output over voltage, 1 min @ $T_A = 25^\circ\text{C}$
Insulation resistance	$R_{IS}$	MΩ	500			500 V DC, ISO 16750-2
Output short circuit maximum duration	$t_c$	s			120	

**Operating characteristics in nominal range ( $I_{PN}$ )**

Parameter	Symbol	Unit	Specification			Conditions
			Min	Typical	Max	
<b>Electrical Data</b>						
Supply voltage <sup>1)</sup>	$U_c$	V	4.75	5	5.25	
Current consumption	$I_c$	mA		15	20	
Maximum output current	$I_{out}$	mA	-1		1	
Load resistance	$R_L$	KΩ	10			
Capacitive loading	$C_L$	nF	1		100	
Ambient operating temperature	$T_A$	°C	-10		65	High accuracy
			-40		125	Reduced accuracy
<b>Performance Data channel 1</b>						
Primary current, measuring range	$I_{PM \text{ channel 1}}$	A	-30		30	
Primary nominal DC or rms current	$I_{PN \text{ channel 1}}$	A	-30		30	@ $T_A = 25^\circ\text{C}$
Offset voltage	$V_o$	V		2.5		@ $U_c = 5\text{ V}$
Sensitivity	$G$	mV/A		66.7		@ $U_c = 5\text{ V}$
Resolution		mV		2.5		@ $U_c = 5\text{ V}$
Output clamping voltage min <sup>1)</sup>	$V_{sz}$	V	0.2	0.25	0.3	@ $U_c = 5\text{ V}$
Output clamping voltage max <sup>1)</sup>		V	4.7	4.75	4.8	@ $U_c = 5\text{ V}$
Output internal resistance	$R_{out}$	Ω		1	10	
Frequency bandwidth <sup>2)</sup>	$BW$	kHz		1.1		@ -3 dB
Power up time		ms			1	
Setting time after overload	$t_s$	ms			10	
Ratiometricity error	$\epsilon_r$	%	-0.6		0.6	
Output voltage noise peak-peak	$V_{no pp}$	mV	-10		10	
<b>Performance Data channel 2</b>						
Primary current, measuring range	$I_{PM \text{ channel 2}}$	A	-350		350	
Primary nominal DC or rms current	$I_{PN \text{ channel 2}}$	A	-350		350	@ $T_A = 25^\circ\text{C}$
Offset voltage	$V_o$	V		2.5		@ $U_c = 5\text{ V}$
Sensitivity	$G$	mV/A		5.7		@ $U_c = 5\text{ V}$
Resolution		mV		2.5		@ $U_c = 5\text{ V}$
Output clamping voltage min <sup>1)</sup>	$V_{sz}$	V	0.2	0.25	0.3	@ $U_c = 5\text{ V}$
Output clamping voltage max <sup>1)</sup>		V	4.7	4.75	4.8	@ $U_c = 5\text{ V}$
Output internal resistance	$R_{out}$	Ω		1	10	
Frequency bandwidth <sup>2)</sup>	$BW$	kHz		1.1		@ -3 dB
Power up time		ms			1	
Setting time after overload	$t_s$	ms			10	
Ratiometricity error	$\epsilon_r$	%	-0.6		0.6	
Output voltage noise peak-peak	$V_{no pp}$	mV	-10		10	

Notes: <sup>1)</sup> The output voltage  $V_{out}$  is fully ratiometric. The offset and sensitivity are dependent on the supply voltage  $U_c$  relative to the following formula:

$$I_p = \left( \frac{5}{U_c} \times V_{out} - V_o \right) \times \frac{1}{G} \text{ with } G \text{ in (V/A)}$$

<sup>2)</sup> Primary current frequencies must be limited in order to avoid excessive heating of the busbar, magnetic core and the ASIC (see feature paragraph in page 1.)

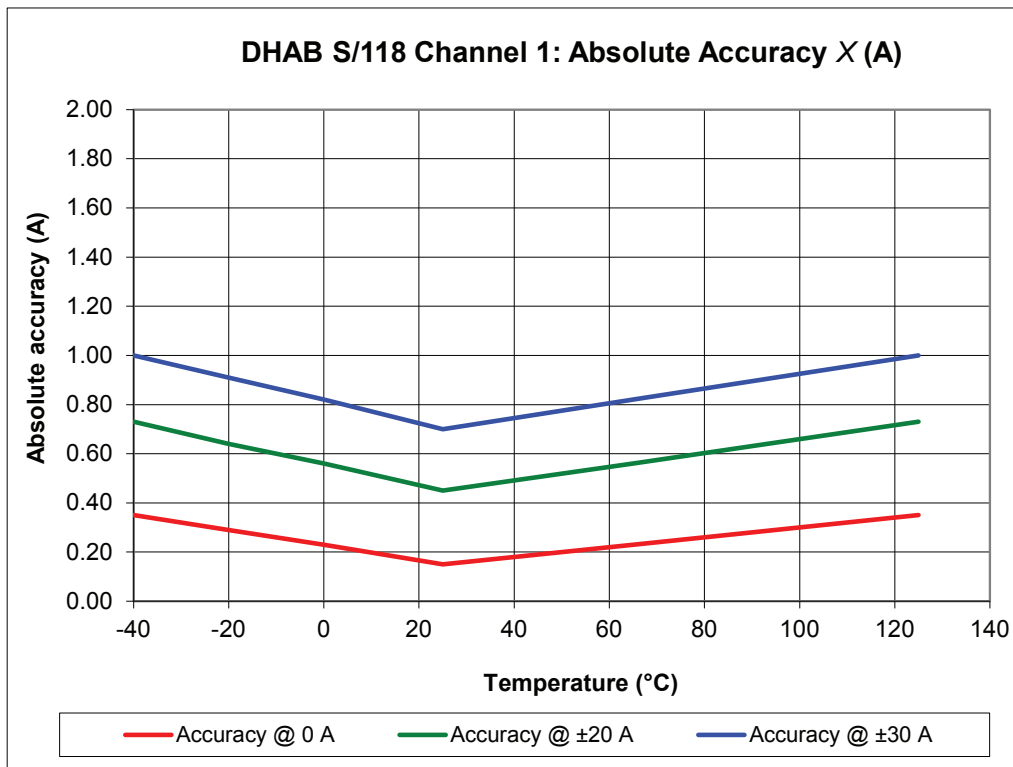
## Accuracy

### Channel 1

Parameter	Symbol	Unit	Specification			Conditions
			Min	Typical	Max	
<b>Electrical Data</b>						
Electrical offset current	$I_{OE}$	A		±0.07		@ $T_A = 25\text{ °C}$
Magnetic offset current	$I_{OM}$	A		±0.03		@ $T_A = 25\text{ °C}$
Offset current	$I_o$	A	-0.15		0.15	@ $T_A = 25\text{ °C}$
			-0.23		0.23	@ $-10\text{ °C} < T < 65\text{ °C}$
			-0.35		0.35	@ $-40\text{ °C} < T < 125\text{ °C}$
Sensitivity error	$\epsilon_G$	%		±0.4		@ $T_A = 25\text{ °C}$
				±1.0		@ $-10\text{ °C} < T < 65\text{ °C}$
				±1.5		@ $-40\text{ °C} < T < 125\text{ °C}$
Linearity error	$\epsilon_L$	%		±0.5		@ $T_A = 25\text{ °C}$ , @ $U_c = 5\text{ V}$ , of full range

### Accuracy table

Parameter	Symbol	Unit	Temperature					
			-40 °C	-20 °C	0 °C	25 °C	65 °C	125 °C
Accuracy @ 0 A	X	A	0.35	0.29	0.23	0.15	0.23	0.35
Accuracy @ ±20 A			0.73	0.64	0.56	0.45	0.56	0.73
Accuracy @ ±30 A			1.00	0.91	0.82	0.70	0.82	1.00



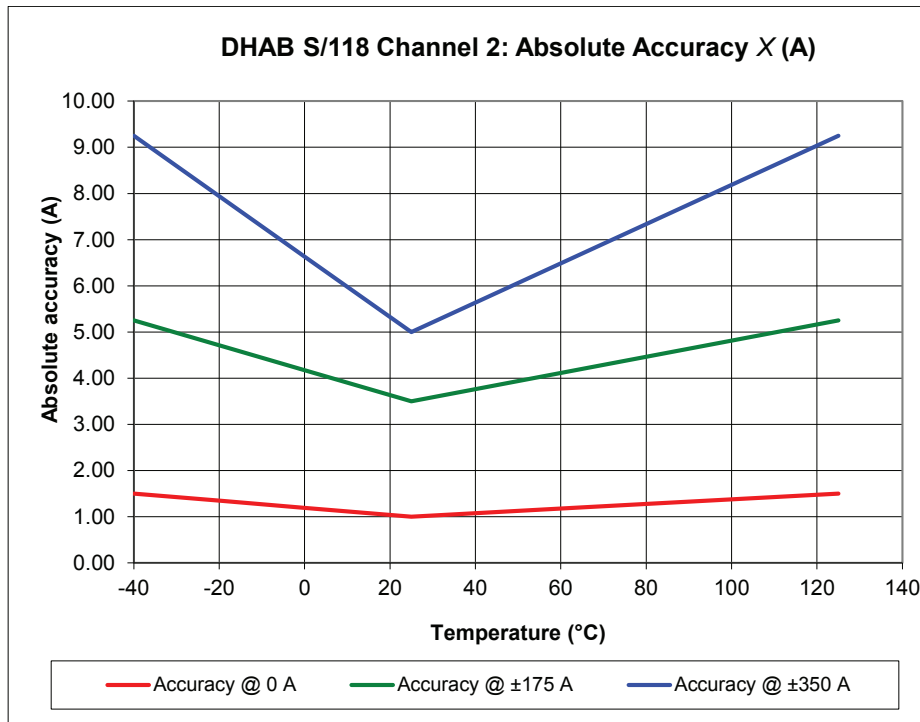
## Accuracy

### Channel 2

Parameter	Symbol	Unit	Specification			Conditions
			Min	Typical	Max	
Electrical offset current	$I_{OE}$	A		±0.6		@ $T_A = 25\text{ °C}$
Magnetic offset current	$I_{OM}$	A		±0.25		@ $T_A = 25\text{ °C}$
Offset current	$I_O$	A	-1		1	@ $T_A = 25\text{ °C}$
			-1.2		1.2	@ $-10\text{ °C} < T^\circ < 65\text{ °C}$
			-1.5		1.5	@ $-40\text{ °C} < T^\circ < 125\text{ °C}$
Sensitivity error	$\epsilon_G$	%		±0.4		@ $T_A = 25\text{ °C}$
				±0.8		@ $-10\text{ °C} < T^\circ < 65\text{ °C}$
				±1.2		@ $-40\text{ °C} < T^\circ < 125\text{ °C}$
Linearity error	$\epsilon_L$	%		±0.5		@ $T_A = 25\text{ °C}$ , @ $U_c = 5\text{ V}$ , of full range

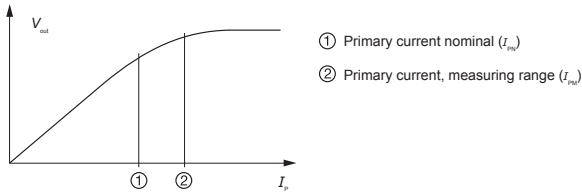
### Accuracy table

Parameter	Symbol	Unit	Temperature					
			-40 °C	-20 °C	0 °C	25 °C	65 °C	125 °C
Accuracy @ 0 A	X	A	1.50	1.35	1.19	1.00	1.20	1.50
Accuracy @ ±175 A			5.25	4.71	4.17	3.50	4.20	5.25
Accuracy @ ±350 A			9.25	7.94	6.63	5.00	6.70	9.25



**PERFORMANCES PARAMETERS DEFINITIONS**

**Primary current definition:**



**Definition of typical, minimum and maximum values:**

Minimum and maximum values for specified limiting and safety conditions have to be understood as such as values shown in "typical" graphs. On the other hand, measured values are part of a statistical distribution that can be specified by an interval with upper and lower limits and a probability for measured values to lie within this interval. Unless otherwise stated (e.g. "100 % tested"), the LEM definition for such intervals designated with "min" and "max" is that the probability for values of samples to lie in this interval is 99.73 %. For a normal (Gaussian) distribution, this corresponds to an interval between -3 sigma and +3 sigma. If "typical" values are not obviously mean or average values, those values are defined to delimit intervals with a probability of 68.27 %, corresponding to an interval between -sigma and +sigma for a normal distribution. Typical, minimum and maximum values are determined during the initial characterization of a product.

**Output noise voltage:**

The output voltage noise is the result of the noise floor of the Hall elements and the linear amplifier.

**Magnetic offset:**

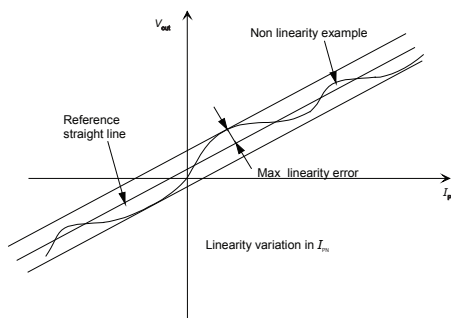
The magnetic offset is the consequence of an over-current on the primary side. It's defined after an excursion of  $I_{PN}$ .

**Linearity:**

The maximum positive or negative discrepancy with a reference straight line  $V_{out} = f(I_p)$ .  
Unit: linearity (%) expressed with full scale of  $I_{PN}$ .

**Response time (delay time)  $t_r$ :**

The time between the primary current signal ( $I_{PN}$ ) and the output signal reach at 90 % of its final value.

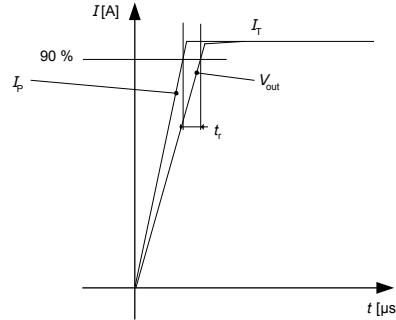


**Sensitivity:**

The transducer's sensitivity  $G$  is the slope of the straight line  $V_{out} = f(I_p)$ , it must establish the relation:

$$V_{out}(I_p) = U_c/5 (G \times I_p + V_o)$$

**Offset with temperature:**



The error of the offset in the operating temperature is the variation of the offset in the temperature considered with the initial offset at 25 °C.

The offset variation  $I_{OT}$  is a maximum variation the offset in the temperature range:

$$I_{OT} = I_{OE \max} - I_{OE \min}$$

The offset drift  $TCI_{OEAV}$  is the  $I_{OT}$  value divided by the temperature range.

**Sensitivity with temperature:**

The error of the sensitivity in the operating temperature is the relative variation of sensitivity with the temperature considered with the initial offset at 25 °C.

The sensitivity variation  $G_T$  is the maximum variation (in ppm or %) of the sensitivity in the temperature range:

$$G_T = (Sensitivity \max - Sensitivity \min) / Sensitivity \text{ at } 25 \text{ } ^\circ\text{C}$$

The sensitivity drift  $TCG_{AV}$  is the  $G_T$  value divided by the temperature range. Deeper and detailed info available is our LEM technical sales offices ([www.lem.com](http://www.lem.com)).

**Offset voltage @  $I_p = 0$  A:**

The offset voltage is the output voltage when the primary current is zero. The ideal value of  $V_o$  is  $U_c/2$  at  $U_c = 5$  V. So, the difference of  $V_o - U_c/2$  is called the total offset voltage error. This offset error can be attributed to the electrical offset (due to the resolution of the ASIC quiescent voltage trimming), the magnetic offset, the thermal drift and the thermal hysteresis. Deeper and detailed info available is our LEM technical sales offices ([www.lem.com](http://www.lem.com)).

**Environmental test specifications:**

Name	Standard	Conditions
Low temperature storage test	ISO 16750-4 IEC 60068-2-1	-40 °C, 240 h; no power supply
Low temperature operation test	ISO 16750-4 IEC 60068-2-1 Ad	-40 °C, 240 h; power ON
HTOE (high temperature operating endurance test)	ISO 16750-4 IEC 60068-2-2 Bd	1000 h; power supply @ 125 °C
Powered thermal cycle endurance	IEC 60068-2-14 Nb	-40 °C (20 min), +125 °C (20 min), 600 cycles; offset monitored
Thermal shock	IEC 60068-2-14 Na	-40 °C (20 min soak) / 125 °C (20 min soak), 1000 cycles, with connectors => 667 h (28 days)
High temperature and humidity endurance	JESD22-A101	1000 h; 85 °C / 85 % HR; power ON; Monitored once a day
Salt fog	IEC 60068-2-11	96 h @ 35 °C, 5 % of salt water solution, characterization before and after test only at 25 °C and $U_c$ nominal
<b>Mechanical tests</b>		
Vibration in temperature	ISO 16750-3 § 4.1.2.4 mass suspended	Continuous monitoring: offset
Shocks	ISO 16750-3 § 4.2	Power ON. Profile 1 (500 m·s <sup>-2</sup> ; 11 ms) 10 shocks per axe Half sinusoidal pulse
Free Fall test	ISO 16750-3	3 axis, 2 directions by axis; 1 sample per axis; 1 m.; concrete floor
<b>EMC test</b>		
BCI (bulk current injection)	ISO 11452-4 Annex E.1.1, Table E.1	From 1 to 400 MHz. Level 1: 60 mA; Functional class: A Level 2: 100 mA; Functional class: A Level 4: 200 mA; Functional class: B
Radiated electromagnetic immunity	ISO 11452-2 GMW 3097 (04.2012) table 12 p.21 (level 2)	Level: 100 V/m (rms); from 400 M to 1 GHz Functional class: A Level: 70 V/m (rms) from 1 G to 2 GHz Functional class: A
Emission	CISPR 25	Table 9, Class 5 by default Freq = 150 kHz to 2.5 GHz
ESD not supplied	IEC 61000-4-2 + ISO 10605 (07/2008)	Contact discharge: ±4 kV & ±8 kV Air discharge: ±15 kV Functionnal class: A after reconnection (150 pF, 330 Ω)
<b>Connector tests</b>		
Connector to connector engagement force	GMW 3191 § 4.11	
Locked connector disengagement force	GMW 3191 § 4.13	
Unlocked connector disengagement force	GMW 3191 § 4.14	