

Click to view price, real time Inventory,  
Delivery & Lifecycle Information ;

# ZFSC-2-2500-S+

## Mini-Circuits

Signal conditioning

Any questions, please feel free to contact us.

[info@kaimte.com](mailto:info@kaimte.com)

Coaxial

# Power Splitter/Combiner

## ZFSC-2-2500+

2 Way-0° 50Ω 10 to 2500 MHz



CASE STYLE: K18

Connectors Model  
**SMA** ZFSC-2-2500-S+  
**BRACKET (OPTION "B")**

**+RoHS Compliant**

The +Suffix identifies RoHS Compliance. See our web site for RoHS Compliance methodologies and qualifications

### Maximum Ratings

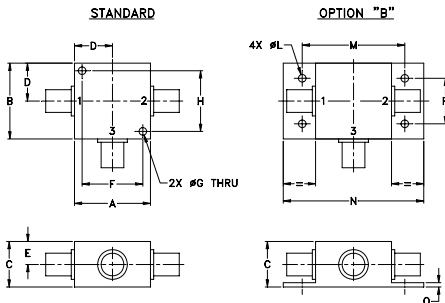
Operating Temperature	-55°C to 100°C
Storage Temperature	-55°C to 100°C
Power Input (as a splitter)	1W max.
Internal Dissipation	0.125W max.

Permanent damage may occur if any of these limits are exceeded.

### Coaxial Connections

SUM PORT	3
PORT 1	1
PORT 2	2

### Outline Drawing



### Outline Dimensions (inch/mm)

A	B	C	D	E	F	G	H		
1.25	1.25	.75	.63	.38	1.00	.125	1.000		
31.75	31.75	19.05	16.00	9.65	25.40	3.18	25.40		
J	K	L	M	N	P	Q	wt		
--	--	.125	1.688	2.18	.75	.07	grams		
--	--	3.18	42.88	55.37	19.05	1.78	70.0		

### Features

- very wideband, 10 to 2500 MHz
- low insertion loss, 0.4 dB typ.
- excellent amplitude unbalance, 0.1 dB typ.
- excellent phase unbalance, 1.0 deg. typ.
- rugged shielded case

### Applications

- cellular
- GPS
- PCS/DCS
- ISM
- satellite distribution

### Electrical Specifications

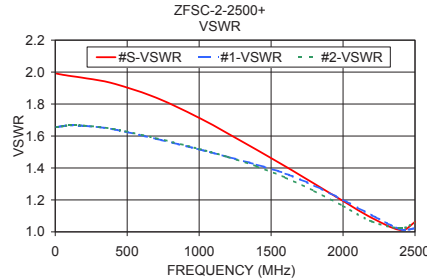
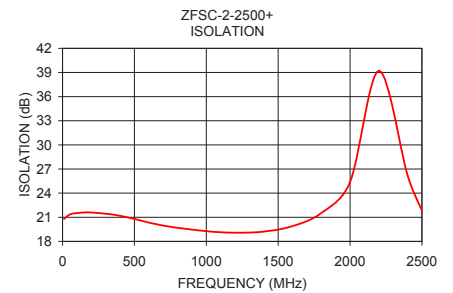
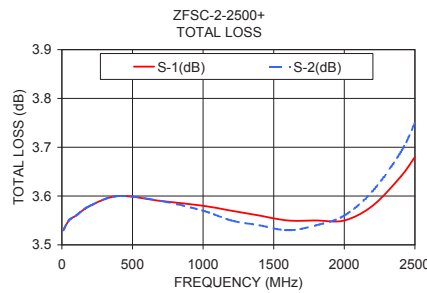
FREQ. RANGE (MHz)	ISOLATION (dB)			INSERTION LOSS (dB) ABOVE 3.0 dB			PHASE UNBALANCE (Degrees)			AMPLITUDE UNBALANCE (dB)			
	L	M	U	L	M	U	L	M	U	L	M	U	
f <sub>L</sub> -f <sub>U</sub>	Typ.	Min.	Typ. Min.	Typ. Min.	Typ. Max.	Typ. Max.	Max.	Max.	Max.	Max.	Max.	Max.	
10-2500	16	11	17 14	17 14	0.5 0.8	0.6 1.4	0.8 1.5	1	4	8	0.2	0.3	0.4

L = low range [f<sub>L</sub> to 10 f<sub>L</sub>] M = mid range [10 f<sub>L</sub> to f<sub>U</sub>/2] U = upper range [f<sub>U</sub>/2 to f<sub>U</sub>]

### Typical Performance Data

Frequency (MHz)	Total Loss <sup>1</sup> (dB)		Amplitude Unbalance (dB)	Isolation (dB)	Phase Unbalance (deg.)	VSWR S	VSWR 1	VSWR 2
	S-1	S-2						
10.00	3.53	3.53	0.00	20.79	0.01	1.99	1.66	1.66
50.00	3.55	3.55	0.00	21.35	0.02	1.98	1.66	1.66
100.00	3.56	3.56	0.00	21.52	0.04	1.98	1.67	1.67
200.00	3.58	3.58	0.00	21.59	0.06	1.96	1.66	1.66
400.00	3.60	3.60	0.00	21.19	0.11	1.93	1.64	1.64
700.00	3.59	3.59	0.00	19.97	0.19	1.84	1.58	1.59
1000.00	3.58	3.57	0.01	19.28	0.30	1.71	1.52	1.52
1200.00	3.57	3.55	0.01	19.08	0.40	1.62	1.47	1.47
1400.00	3.56	3.54	0.01	19.22	0.54	1.51	1.42	1.41
1600.00	3.55	3.53	0.02	19.90	0.70	1.41	1.36	1.34
1800.00	3.55	3.54	0.01	21.53	0.87	1.30	1.29	1.26
2000.00	3.55	3.56	0.01	25.39	1.06	1.19	1.20	1.16
2200.00	3.58	3.61	0.03	39.20	1.20	1.09	1.10	1.07
2400.00	3.64	3.69	0.05	26.21	1.19	1.01	1.02	1.02

1. Total Loss = Insertion Loss + 3dB splitter loss.



### electrical schematic



### Notes

- A. Performance and quality attributes and conditions not expressly stated in this specification document are intended to be excluded and do not form a part of this specification document.  
 B. Electrical specifications and performance data contained in this specification document are based on Mini-Circuit's applicable established test performance criteria and measurement instructions.  
 C. The parts covered by this specification document are subject to Mini-Circuits standard limited warranty and terms and conditions (collectively, "Standard Terms"); Purchasers of this part are entitled to the rights and benefits contained therein. For a full statement of the Standard Terms and the exclusive rights and remedies thereunder, please visit Mini-Circuits' website at [www.minicircuits.com/MCLStore/terms.jsp](http://www.minicircuits.com/MCLStore/terms.jsp)



# Mouser Electronics

Authorized Distributor

Click to View Pricing, Inventory, Delivery & Lifecycle Information:

[Mini-Circuits:](#)

[ZFSC-2-2500-S+](#)