

Fuse-link, high speed, 630 A, AC 690 V, DIN 1, 53 x 53 x 108 mm, aR, DIN, IEC, single indicator

Catalog No. 170M4016

Delivery program

| | | | |
|------------------------------|---|----|---|
| Product range | | | Fuse |
| Basic function | | | Fuse-link |
| Field of application | | | high speed |
| Rated current | I | A | 630 |
| Rated voltage | | | AC 690 V |
| Construction size | | | DIN 1 |
| Size | | | 53 x 53 x 108 mm |
| Utilization category | | | aR |
| Status indicator | | | single indicator |
| Breaking Capacity | | kA | 200 |
| usable for size/applications | | | semiconductor protection |
| Standard/Approval | | | DIN IEC |
| Shape | | | square body with centre-bolted tags (slotted) |
| Standards/Regulations | | | DIN 43653 IEC 60269-4 |

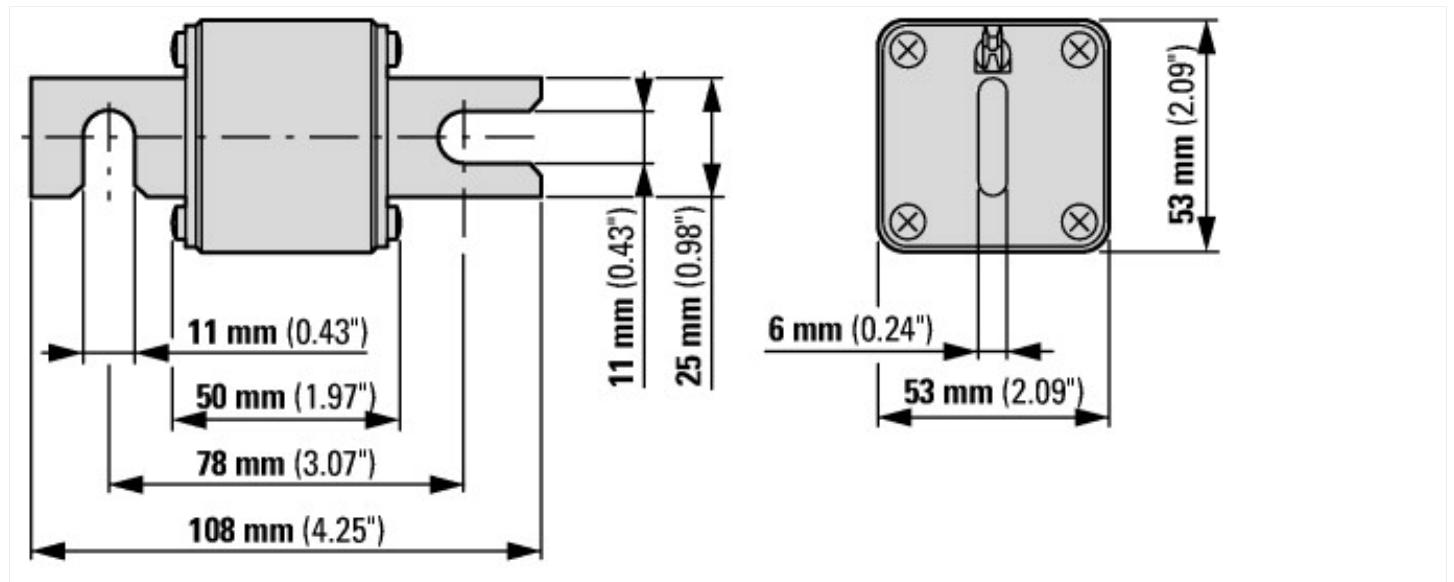
Technical data ETIM 7.0

| | | | |
|---|--|----|---|
| Circuit breakers and fuses (EG000020) / Low Voltage HRC fuse (EC000055) | | | |
| Electric engineering, automation, process control engineering / Electrical installation, device / Safety fuse inserts / Low-Voltage HRC fuse (ecl@ss10.0.1-27-14-20-05 [AFZ800015]) | | | |
| Construction size | | | Other |
| Rated current | | A | 630 |
| Rated voltage | | V | 690 |
| Voltage type | | | AC |
| Rated switching capacity | | kA | 200 |
| Utilization category | | | aR (accompanied semiconductor protection) |
| Type of fuse status indicator | | | Top fuse status indicator |
| Insulated metal gripping lugs (IMGL) | | | No |

Approvals

| | | | |
|-----------------------------|--|--|--|
| Product Standards | | | IEC/EN 60269-4; UL 248-1; CSA-C22.2 No. 248.14; CE marking |
| UL File No. | | | E125085 |
| UL Category Control No. | | | JFHR2 |
| CSA File No. | | | 053787_C_000 |
| CSA Class No. | | | 1422-30 |
| North America Certification | | | UL recognized, CSA certified |
| Suitable for | | | semiconductor protection |

Dimensions



Additional product information (links)

Product datasheet (pdf)

http://www.cooperindustries.com/content/dam/public/bussmann/Electrical/Resources/product-datasheets-b/Bus_Ele_DS_720014_170M.pdf