

Click to view price, real time Inventory,
Delivery & Lifecycle Information ;

292303-9

TE Connectivity

USB Connectors USB Type A Recept Female SMD/SMT

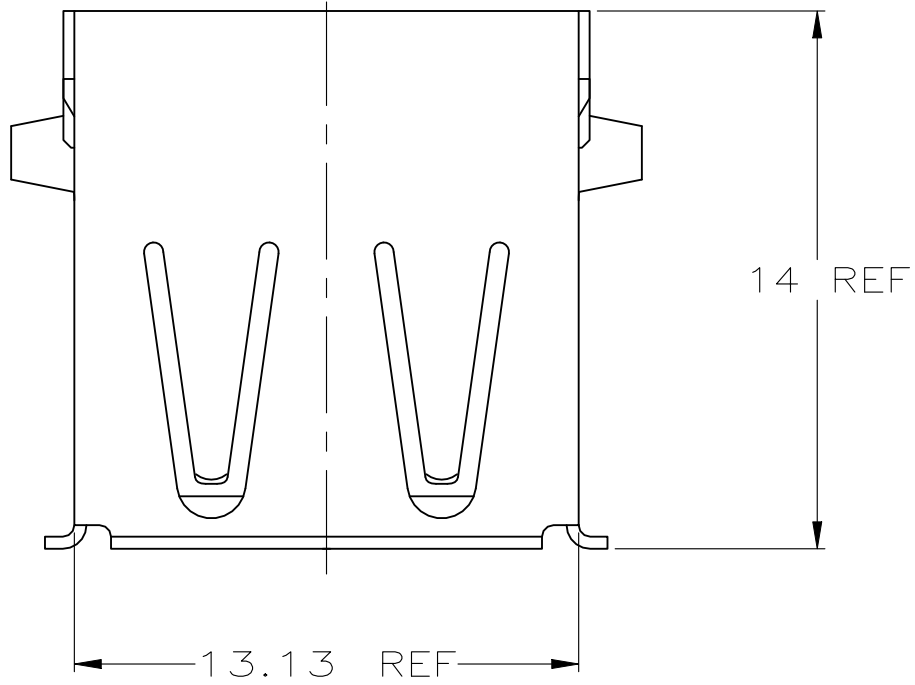
Any questions, please feel free to contact us.
info@kaimte.com

0.9
\oplus \ominus
2.3
\oplus \ominus
-A-

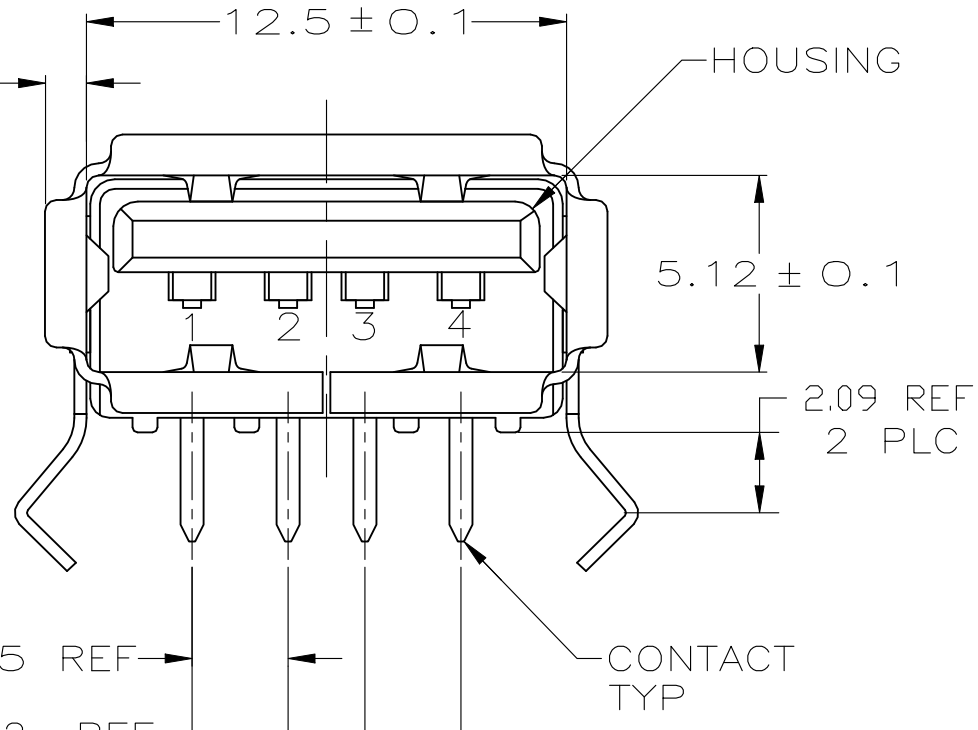
D

C

B

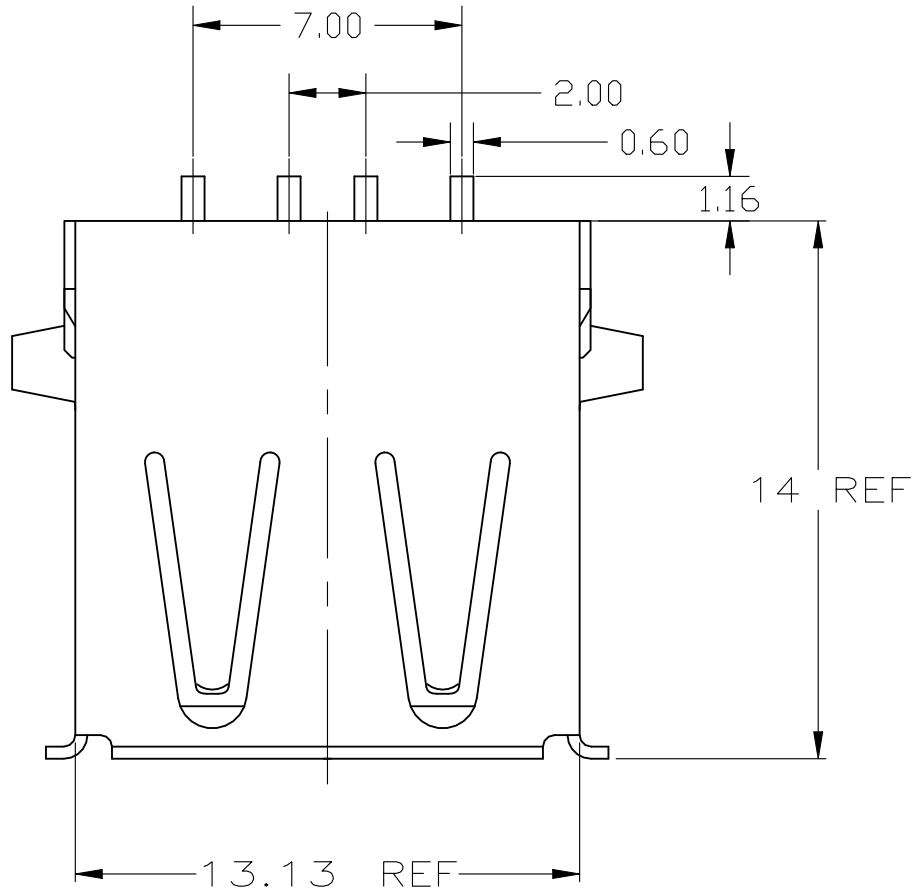


1.065 \pm 0.105
 -0.065
 4 PLC

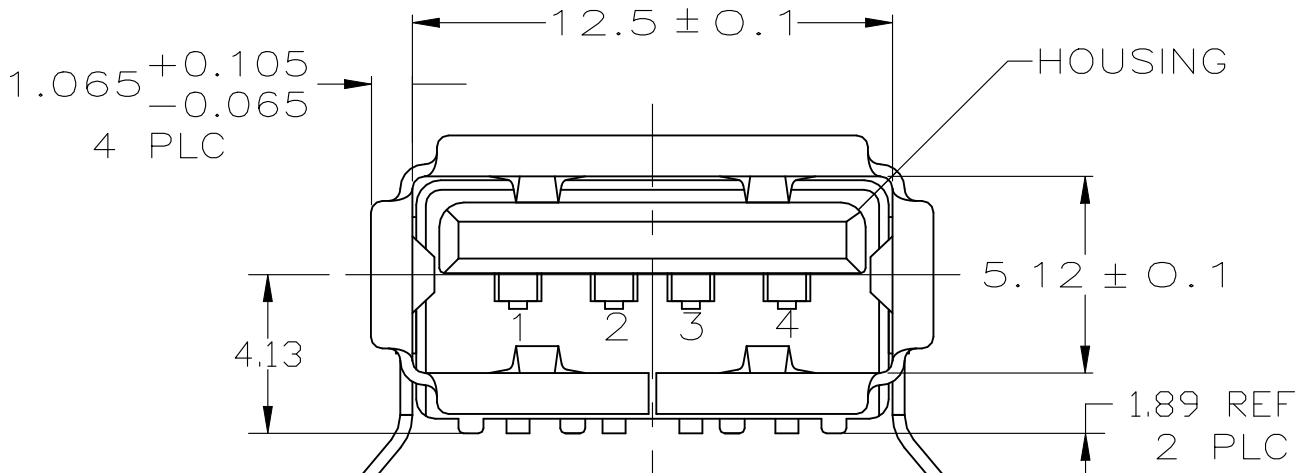


D

C



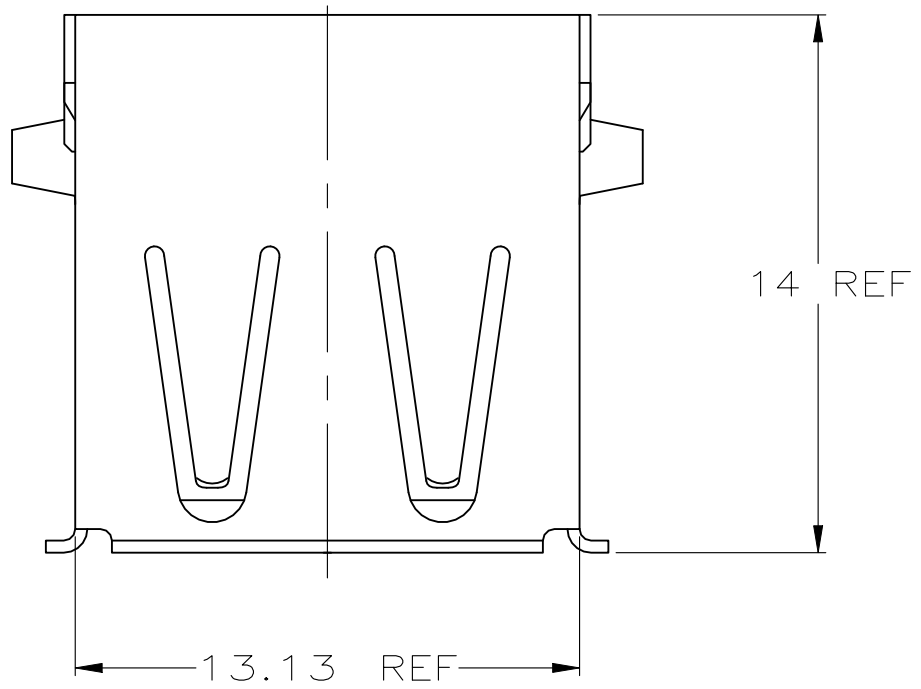
B



D

C

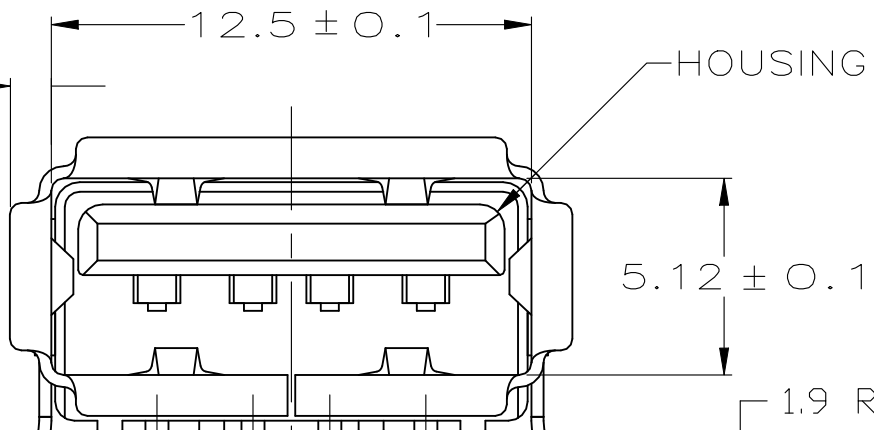
B



0.9
ϕ ϕ

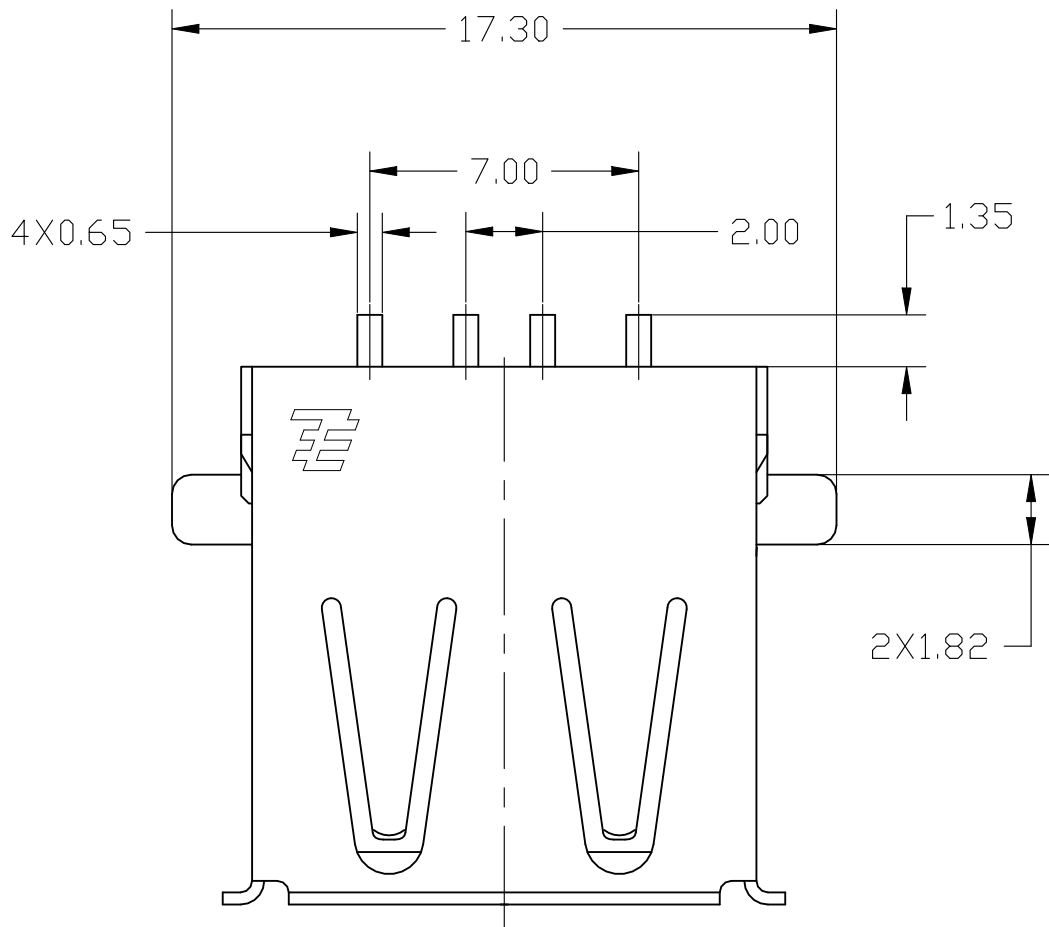
2.3
ϕ ϕ
-A-

1.065 \pm 0.105
 -0.065
 4 PLC

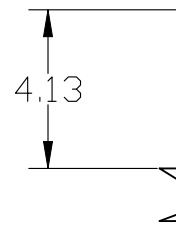


1.9 REF

D

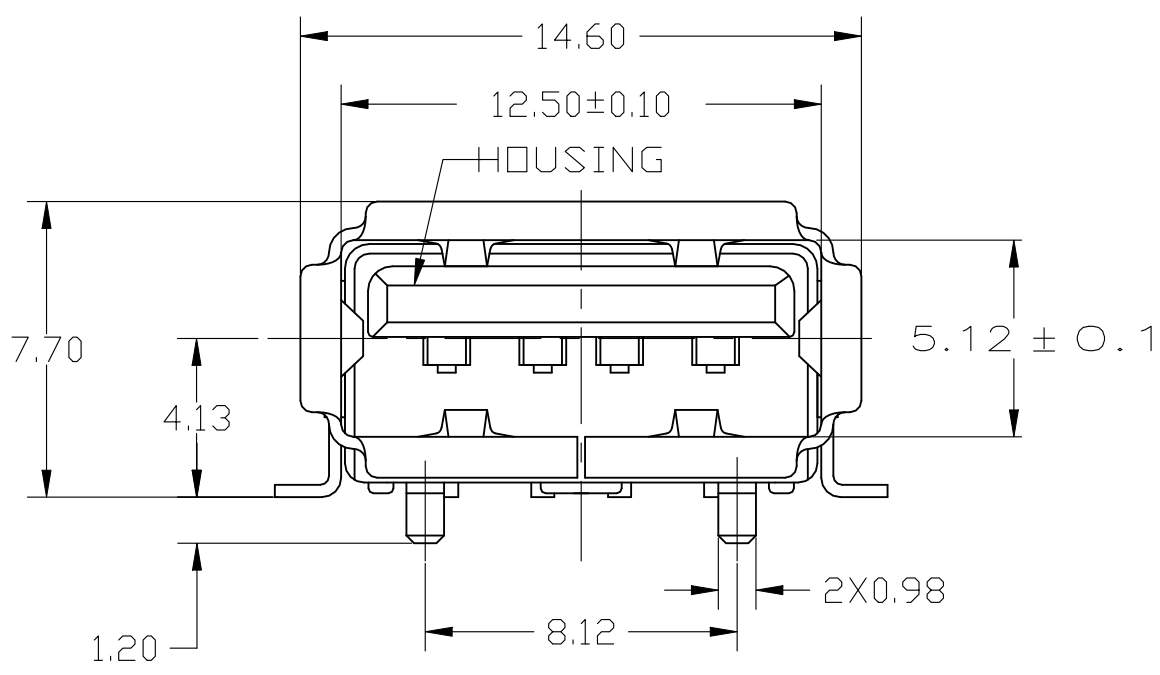


C

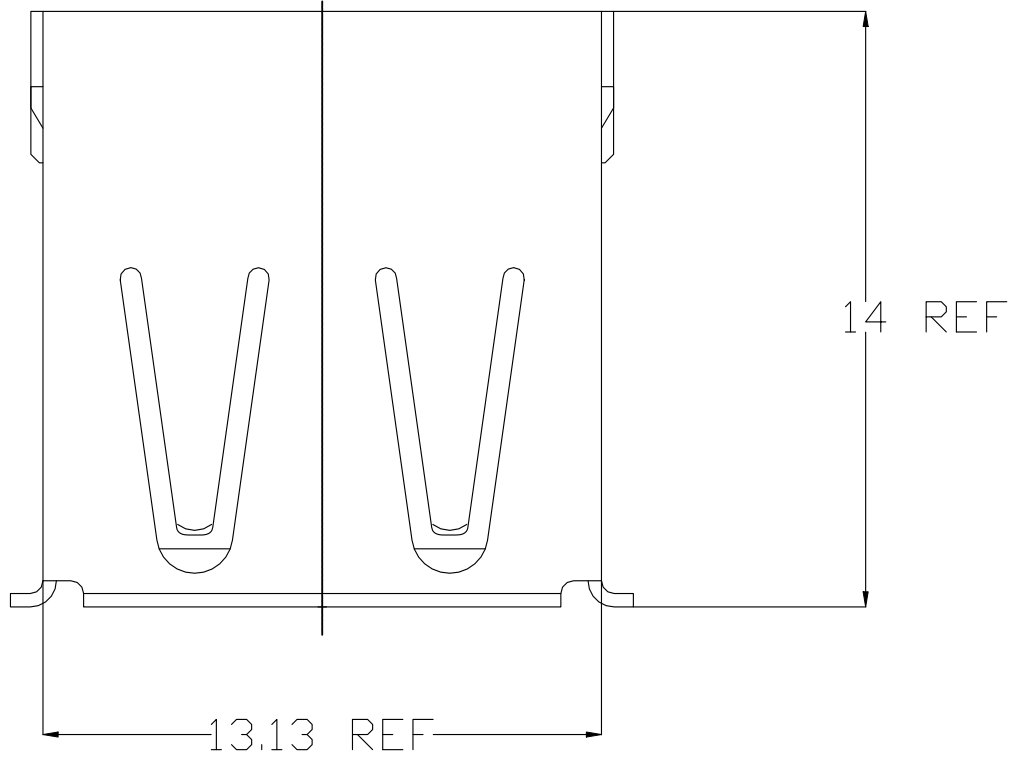


RE

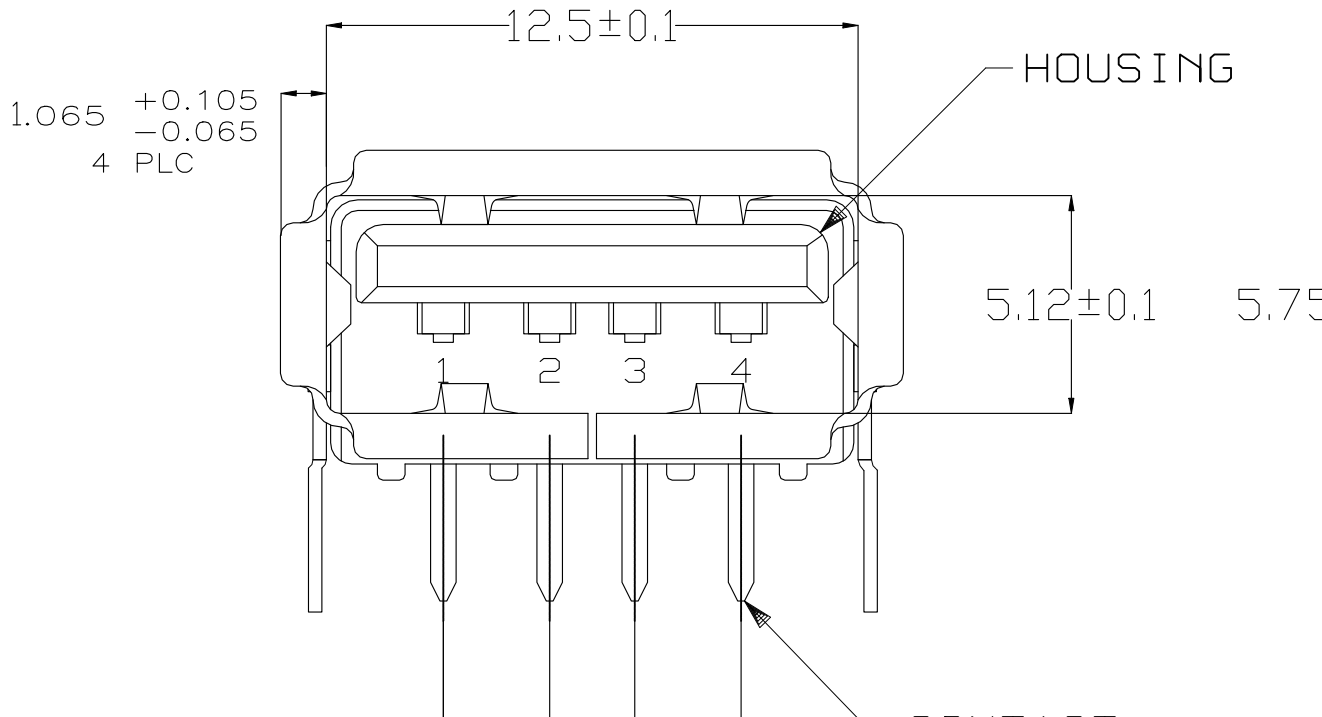
B



D



C



B

Mouser Electronics

Authorized Distributor

Click to View Pricing, Inventory, Delivery & Lifecycle Information:

[TE Connectivity:](#)

[292303-9](#)